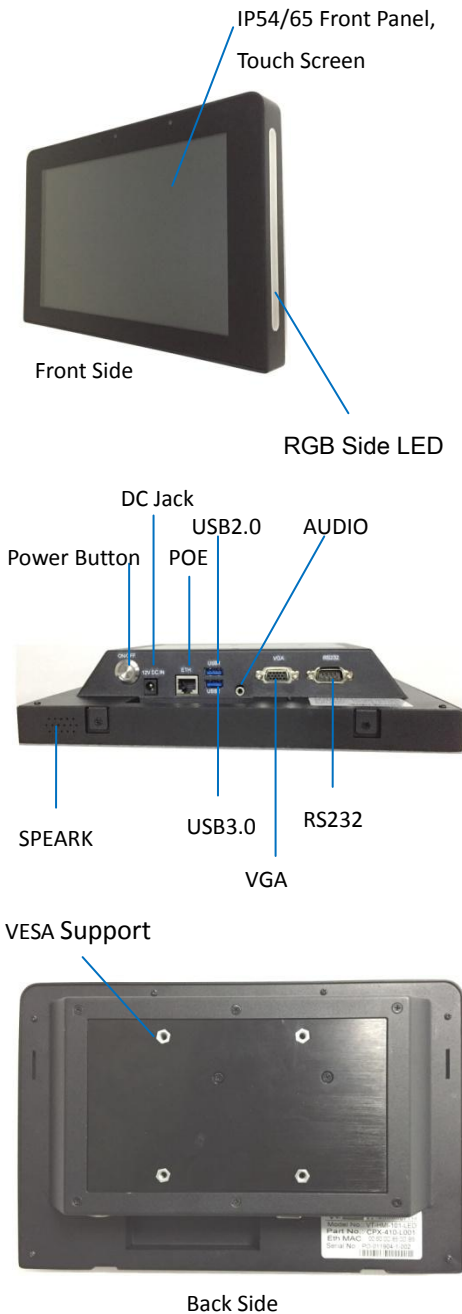


VT-HMI-101

Interfaces for Seamless Integration between Humans and Machines



Features

- Intel® ATOM™, E3845/1.91Ghz, E3827/1.75Ghz, E3815/1.46GHZ
- 10.1" 16:10, LVDS LCD, 1280x800, Touch Screen
- LED Back Light, 350cd/ m2
- Fanless, Heat Sink
- Solid State Drives(SSD)
- Windows, or Linux
- 10/100/1000-BaseT Ethernet
- 1xRS232, 1xUSB 2.0, 1xUSB 3.0
- Power Input DC19V(10-32V)

Specifications

CPU	Processor	Intel®ATOM™, E3845/1.91Ghz(QUAD CORE), E3827/1.75Ghz(DUAL CORE), E3815/1.46GHZ(SINGLE CORE)
	Memory	On Board RAM DDR3L1333/1066MHz 2G (up to 4GB)
Display	ROM Internal	128GB SSD , 64GB or 254GB Optional)
	Resolution	10.1",LVDS TFT, 16:10, 1280x800,24bit
	Contrast	800:1
	Brightness	350 cd/ m2
Interfaces	View Angle	85U/85D,85L/85R
	Touch Screen	Cap Touch Screen
	Ethernet	10/100/1000-BaseT
	POE	Support 30W(Optional 60W)
	USB	1xUSB2.0 Host, 1xUSB3.0 Host,
	COM Port	1xRS232
	Audio	1xInternal Speaker, 1xSpeak Out 3.5mm
	RFID	Optional
	RTC	Supported
	Software	OS
Applications		Provide SDK, support MCGS tool
Power	Input	DC19V (10-32V)
	Consumption	12W (Pulse 20W)
Mechanical	Dimensions	274.00 x 178.00 x 57.00mm
	Install Window	265x159 mm
	VESA Install	75x75mm, 3mm Screw
	Weight	1.78Kg
	Enclosure	Aluminum Alloy with Black Color
Environment Condition	Temperature	Operating: 0°C ~ 50°C
		Storage: -10°C ~ +70°C
	Humidity	5-95%RH at 25-35 (Non-Condensation)
	Vibration	2G, 9-26Hz (10 times in X,Y,Z directions)
	Protection	Front Panel: IP54 (IP65 Optional)
	Cooling Mode	Fan less, Heat Sink
Certifications	FCC and CE	

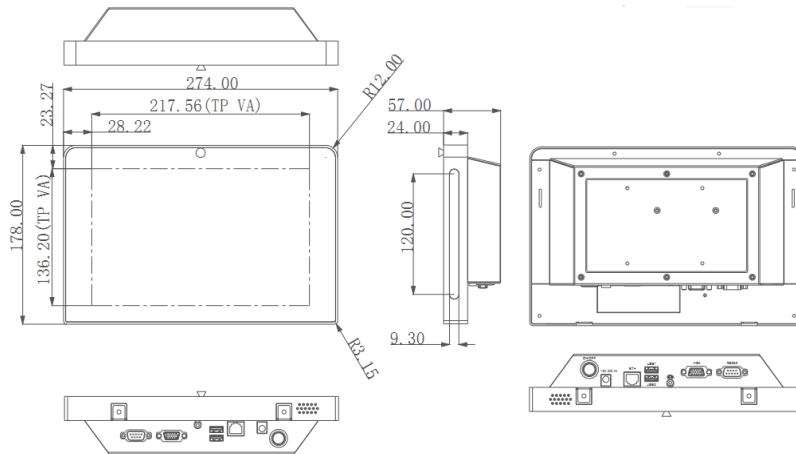


Vantron

US Office: Vantron Technology, Inc.
 Address: 440 Boulder Court, Suite 300,
 Pleasanton, CA 94566
 Tel: 510-304-7666
 Email: sales@vantrontech.com

China Office: Chengdu Vantron Technology, Ltd
 Address: 6th Floor, 1st Building, No.9, 3rd WuKe East Street,
 WuHou District, Chengdu, P.R. China 610045
 Tel: 86-28-8512-3930/3931, 8515-7572/6320
 Email: sales@vantrontech.com.cn

Dimension



Mounting Window Size: 265x159 mm

Accessories

➤ BRKT-MOUNTING	1pcs	YMM233R187
➤ POWER ADAPTER	1pc	YAP003R009
➤ USA STANDARD POWER CABLE	1pcs	YC0683R124

Order Information

VT-HMI-101-LED	10.1" TFT, Intel® ATOM™E3845,4GB DDR3L,128GB SSD
VT-HMI-101-LED-RFID	10.1" TFT, Intel® ATOM™E3845,4GB DDR3L,128GB SSD,RFID

NOTES:

All specifications are subject to change without notice. Please contact Vantron for additional requirements.